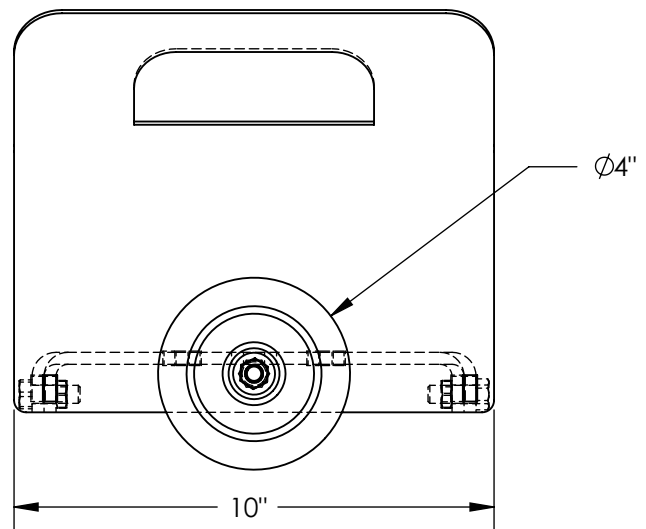
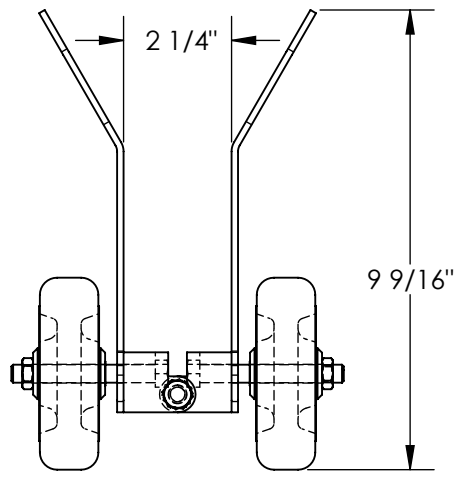
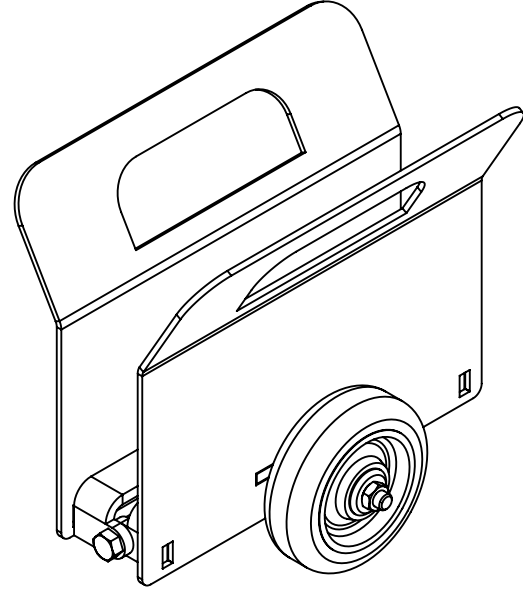
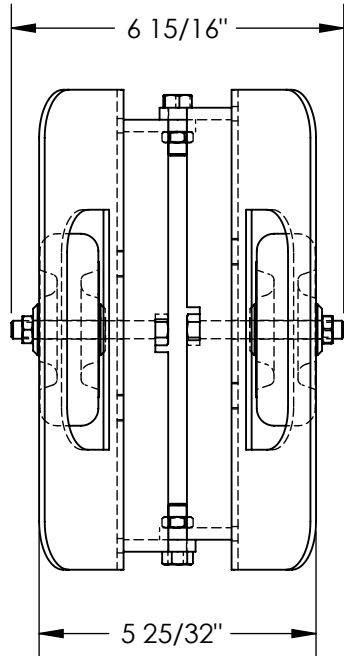


# LIGHTWEIGHT PANEL DOLLY - PLDL-LD-2-4PP

APPROX WEIGHT: 8.49 lbs.  
 DOES NOT INCLUDE WEIGHT OF POWER OR PACKAGING!!!

\*\*\*ANY ADDITIONS, DELETIONS, OR OMISSIONS MUST BE CORRECTED ON THIS DRAWING AS THIS DRAWING WILL BE CONSIDERED ALL INCLUSIVE\*\*\*



ALL GRAPHICS PROVIDED ARE FOR REFERENCE ONLY. IF CERTAIN DIMENSIONS ARE CRITICAL PLEASE VERIFY THOSE DIMENSIONS WITH YOUR SALESPERSON

## STANDARD FEATURES

- MODEL NUMBER IS PLDL-LD-2-4PP
- CAPACITY IS: 350 LBS.
- OVERALL WIDTH IS: 6 15/16"
- MAX. USABLE WIDTH IS 2 1/4"
- OVERALL LENGTH IS: 10"
- OVERALL HEIGHT IS: 9 9/16"
- DOLLY AUTOMATICALLY CLAMPS WHEN WEIGHT IS APPLIED
- USES TWO 4" POLY-ON-POLY WHEELS

## SPECIAL FEATURES

NONE

<b>A P P R O V A L</b>	I, THE UNDERSIGNED, AGREE THAT THE PRODUCT AS REPRESENTED SATISFIES DESIGN AND DIMENSION REQUIREMENTS. I ALSO ACKNOWLEDGE MY DUTY TO CONFIRM PRODUCT AND INSTALLATION COMPLIANCE WITH ALL APPLICABLE FEDERAL, STATE AND LOCAL REGULATIONS AND STANDARDS.	
	<b>ALL SPECIAL UNITS ARE NON-RETURNABLE</b> <input type="checkbox"/> As drawn <input type="checkbox"/> As marked	
	Signed: _____	Date: _____
<b>LEAD TIME WILL START UPON RECEIPT OF SIGNED APPROVAL DRAWING</b>		

DISTRIBUTOR'S NAME: <b>VESTIL MANUFACTURING</b>		P.O.# X
DRAWN BY: T. MOORE		W.O.# X
DATE: 06/26/09	SCALE: 1:4	SALES: X
REFERENCE: X	QUOTE # X	FILE NAME: 16-007-208